

USB keyboard test

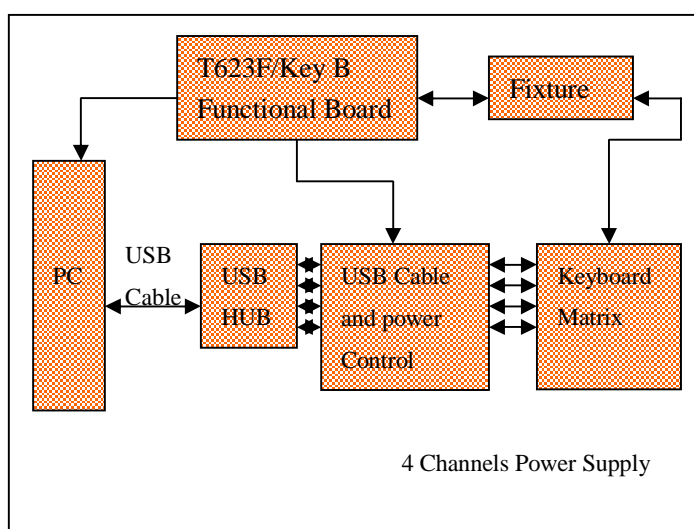
T623F provides add on features that

perform USB Keyboard controller

USB connectors can be found on most Windows 98/2000 PCs, and Apple's iMac, G3, and G4 Power PCs running the OS 9 operating system. The compact USB port is a far-superior data transfer system, sending data up to 100 times faster than the 25-pin parallel and DB-9 serial & DB-25 RS-232 serial ports found on most computers.

The USB interface is used commonly in low-to-medium bandwidth peripheral connections such as USB scanners, USB color inkjet printers, USB joysticks, USB Flash memory card readers, and USB digital cameras. In these cases using USB is more cost-effective than the IEEE-1394 FireWire device connection standard. FireWire is commonly found in computers designed specifically for high-end multimedia editing. USB is now the standard for low-cost home computing peripherals. USB is convenient in that it can be connected to a computer with minimal hardware and software setup.

T623F firstly perform ordinary tests, such as open/short, component test to the board-under-tests (BUTs). It then records passed boards and perform functional test towards only the passed BUTs afterwards.



Control words are then sent from T623F to the BUTs to simulate pressing key. If the BUTs are normal, they will return the expected characters to T623F. T623F will then verify the return characters from the BUTs and report results.

Test with confidence

CONCORD TECHNOLOGY LTD

Unit B, 4/F, Wing Cheong Industrial Building, 121 King Lam Street, Lai Chi Kok, Kowloon, Hong Kong.
Telephone: (852) 2310 2828 Facsimile: (852) 2310 2424 Email: sales@concord-tech.com <http://www.concord-tech.com>